



EBARA

SUBMERSIBLE SUMP PUMPS

CF3205UE

Model DS

PT. LUKES INDONESIA

Lindeteves Trade Center Lt UG, Blok B1 No. 6
Jalan Hayam Wuruk, Jakarta - Indonesia
Phone : 021 - 6231 7842, 628 5144
Fax : 021 - 6231 0499
email : lukes@cbn.net.id



Applications

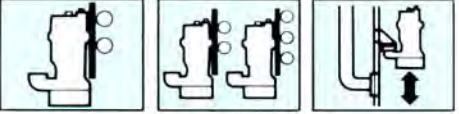


- Purification tank drainage
- Irrigation
- Rain & spring drainage

Features

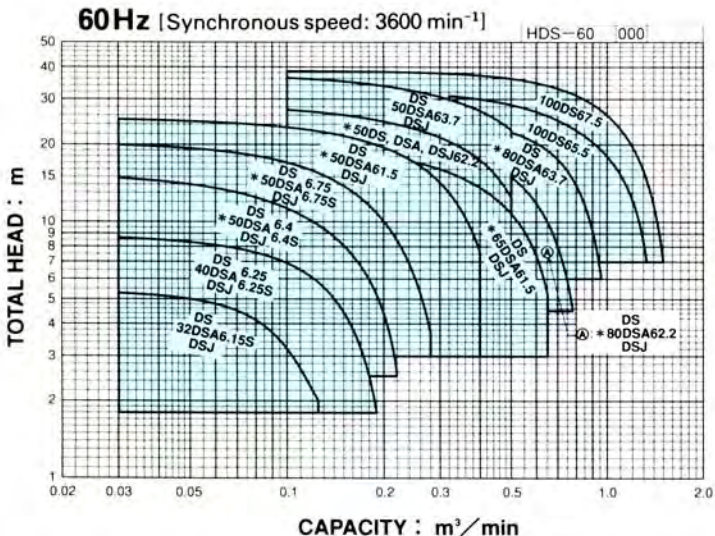
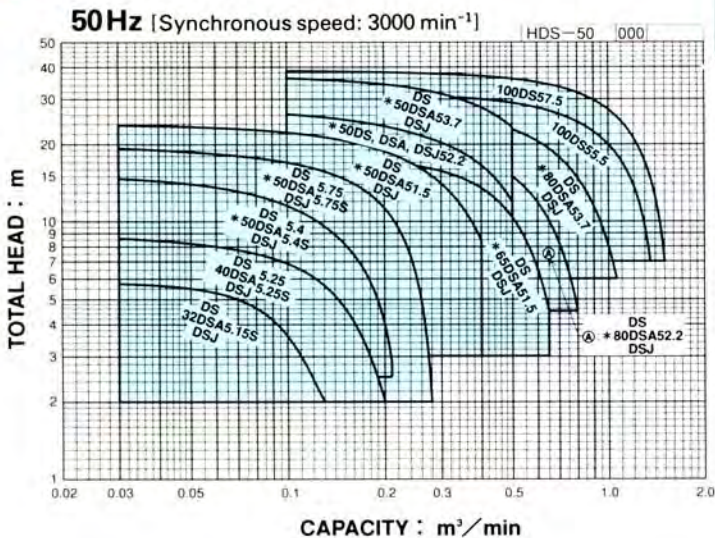


- Small lightweight
- Built-in motor protection device
- No water leakage to motor (mechanical seal)



- DSA model automatic operation alone
- Automatic alternating operation with DSA and DSJ models
- Q.D.C (optional) for simple maintenance

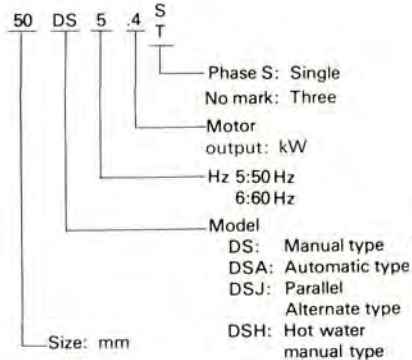
Selection charts



Standard specifications

| | |
|--|--|
| Liquid Limitation Maximum water temp. | Sump 40°C for Model DS, DSA 70°C for Model DSH (0.4 to 0.75kW, Three phase, manual type) 80°C for Model DSH (1.5 to 3.7kW, Three phase, manual type) 32°C for Model DSJ Below strainer hole dia. (Refer to dimensions) |
| Maximum Spherical Solid | |
| Speed | 3000min ⁻¹ /50Hz, 3600min ⁻¹ /60Hz |
| Materials Casing Impeller | Cast iron Cast iron less than 1.5kW(model32DS ~50DS) Graphite cast iron models other than above-mentioned |
| Shaft | 403 stainless steel |
| Construction Seal Impeller Type Bearing | Double mechanical seal Semi-open Prelubricated bearing |
| Motor Type Insulation class Motor protection | Air-filled watertight E, H (Model DSH only) Built-in overload protection |
| Accessories | [Standard] Cast iron companion flange Submersible cable 6m....0.15kW~1.5kW 10m....2.2kW~7.5kW, DSH [Optional] Quick discharge connector Control panel Float switch |

Symbols



Model DS/DSH
Manual type



Model DSA
Automatic type

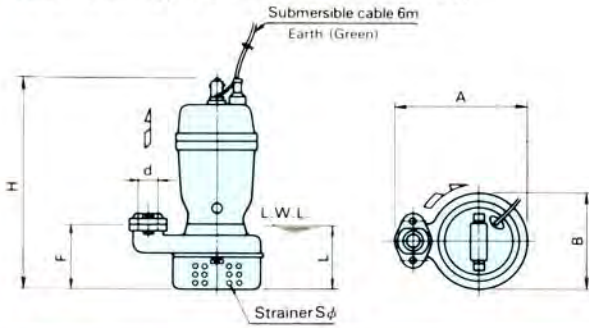


Model DSJ
Parallel Alternate type

Note: DSH models for hot water are limited to asterisk * marked, manual type, Three phase pumps only.

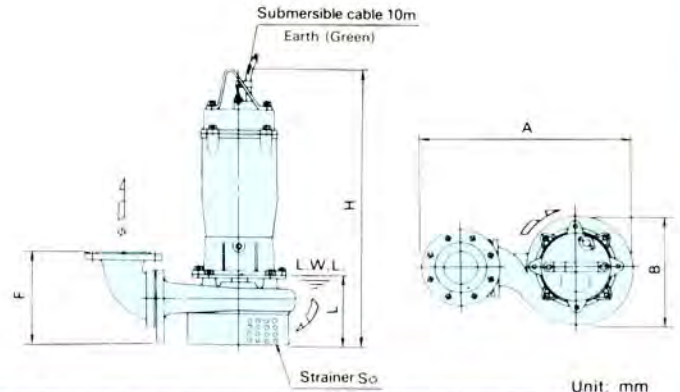
Dimensions

Manual type (Model DS, DSH)



Unit: mm

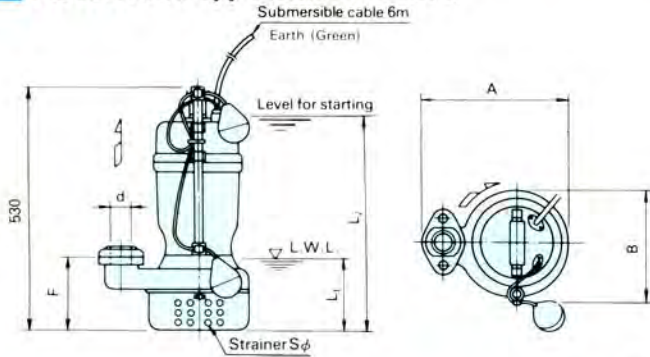
| Size | Model | | Output kW | Phase | Pump & Motor | | | | | | | Mass kg |
|------|-----------|-----------|-----------|--------|--------------------|-----|-----|-----|-----|----|-----|---------|
| | 50Hz | 60Hz | | | d | A | B | F | H | S | L | |
| 32 | 32DS5.15S | 32DS6.15S | 0.15 | Single | PT-1 $\frac{1}{2}$ | 215 | 154 | 80 | 358 | 7 | 85 | 12 |
| | 40DS5.25S | 40DS6.25S | 0.25 | Single | PT-1 $\frac{1}{2}$ | 219 | 156 | 80 | 358 | 7 | 85 | 12 |
| 40 | 40DS5.25 | 40DS6.25 | 0.25 | Three | PT-1 $\frac{1}{2}$ | 219 | 156 | 80 | 358 | 7 | 85 | 12 |
| | 50DS5.4S | 50DS6.4S | 0.4 | Single | PT-2 | 260 | 186 | 99 | 433 | 8 | 110 | 17 |
| 50 | 50DS5.4 | 50DS6.4 | 0.4 | Three | PT-2 | 260 | 186 | 99 | 396 | 8 | 110 | 16 |
| | 50DS5.75S | 50DS6.75S | 0.75 | Single | PT-2 | 260 | 186 | 99 | 495 | 8 | 110 | 31 |
| | 50DS5.75 | 50DS6.75 | 0.75 | Three | PT-2 | 260 | 186 | 99 | 495 | 8 | 110 | 17 |
| | 50DS5.15 | 50DS6.15 | 1.5 | Three | PT-2 | 266 | 200 | 115 | 450 | 10 | 120 | 25 |



Unit: mm

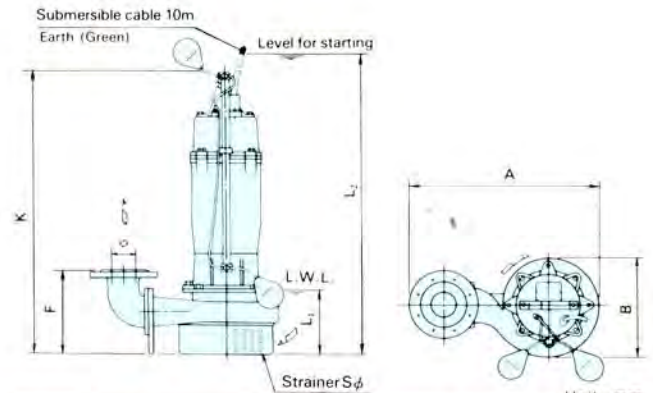
| Size ϕ | Model | | Output kW | Pump & Motor | | | | | | | Mass kg |
|-------------|-----------|-----------|-----------|--------------|-----|-----|-----|----|-----|-----|---------|
| | 50Hz | 60Hz | | A | B | F | H | S | L | | |
| 50 | 50DS52.2 | 50DS62.2 | 2.2 | 433 | 245 | 198 | 619 | 10 | 160 | 55 | |
| | 50DS53.7 | 50DS63.7 | 3.7 | 433 | 245 | 198 | 619 | 10 | 160 | 61 | |
| 65 | 65DS51.5 | 65DS61.5 | 1.5 | 407 | 210 | 197 | 510 | 10 | 120 | 35 | |
| | 80DS52.2 | 80DS62.2 | 2.2 | 503 | 268 | 215 | 625 | 10 | 160 | 59 | |
| 80 | 80DS53.7 | 80DS63.7 | 3.7 | 503 | 268 | 215 | 625 | 10 | 160 | 64 | |
| | 100DS55.5 | 100DS65.5 | 5.5 | 615 | 309 | 257 | 730 | 13 | 200 | 92 | |
| 100 | 100DS57.5 | 100DS67.5 | 7.5 | 615 | 309 | 257 | 730 | 13 | 200 | 104 | |

Automatic type (Model DSA)



Unit: mm

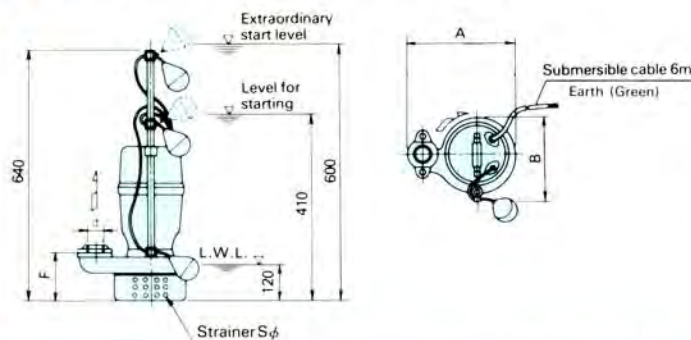
| Size | Model | | Output kW | Phase | Pump & Motor | | | | | | | Mass kg |
|------|------------|------------|-----------|--------|--------------------|-----|-----|-----|----|----------------|----------------|---------|
| | 50Hz | 60Hz | | | d | A | B | F | S | L ₁ | L ₂ | |
| 32 | 32DSA5.15S | 32DSA6.15S | 0.15 | Single | PT-1 $\frac{1}{2}$ | 215 | 185 | 80 | 7 | 150 | 490 | 13 |
| | 40DSA5.25S | 40DSA6.25S | 0.25 | Single | PT-1 $\frac{1}{2}$ | 219 | 185 | 80 | 7 | 150 | 490 | 13 |
| 40 | 40DSA5.25 | 40DSA6.25 | 0.25 | Three | PT-1 $\frac{1}{2}$ | 219 | 185 | 80 | 7 | 150 | 490 | 13 |
| | 50DSA5.4S | 50DSA6.4S | 0.4 | Single | PT-2 | 260 | 200 | 99 | 8 | 150 | 490 | 18 |
| 50 | 50DSA5.4 | 50DSA6.4 | 0.4 | Three | PT-2 | 260 | 200 | 99 | 8 | 150 | 490 | 17 |
| | 50DSA5.75S | 50DSA6.75S | 0.75 | Single | PT-2 | 260 | 200 | 99 | 8 | 150 | 490 | 31 |
| | 50DSA5.75 | 50DSA6.75 | 0.75 | Three | PT-2 | 260 | 200 | 99 | 8 | 150 | 490 | 18 |
| | 50DSA51.5 | 50DSA61.5 | 1.5 | Three | PT-2 | 266 | 207 | 115 | 10 | 150 | 490 | 26 |



Unit: mm

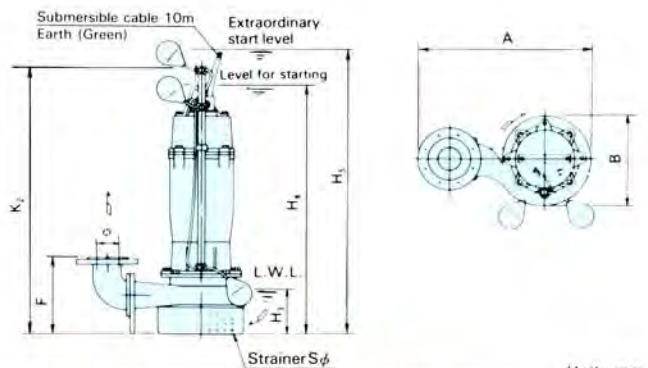
| Size ϕ | Model | | Output kW | Pump & Motor | | | | | | | Mass kg |
|-------------|-----------|-----------|-----------|--------------|-----|-----|-----|----|----------------|----------------|---------|
| | 50Hz | 60Hz | | A | B | F | K | S | L ₁ | L ₂ | |
| 50 | 50DSA52.2 | 50DSA62.2 | 2.2 | 433 | 248 | 198 | 800 | 10 | 270 | 760 | 61 |
| | 50DSA53.7 | 50DSA63.7 | 3.7 | 433 | 248 | 198 | 800 | 10 | 270 | 760 | 67 |
| 65 | 65DSA51.5 | 65DSA61.5 | 1.5 | 407 | 210 | 197 | 530 | 10 | 150 | 490 | 36 |
| | 80DSA52.2 | 80DSA62.2 | 2.2 | 503 | 268 | 215 | 800 | 10 | 270 | 760 | 65 |
| 80 | 80DSA53.7 | 80DSA63.7 | 3.7 | 503 | 268 | 215 | 800 | 10 | 270 | 760 | 70 |

Parallel Alternate type (Model DSJ)



Unit: mm

| Size | Model | | Output kW | Phase | Pump & Motor | | | | | Mass kg |
|------|------------|------------|-----------|--------|--------------------|-----|-----|-----|----|---------|
| | 50Hz | 60Hz | | | d | A | B | F | S | |
| 32 | 32DSJ5.15S | 32DSJ6.15S | 0.15 | Single | PT-1 $\frac{1}{2}$ | 215 | 185 | 80 | 7 | 13 |
| | 40DSJ5.25S | 40DSJ6.25S | 0.25 | Single | PT-1 $\frac{1}{2}$ | 219 | 185 | 80 | 7 | 14 |
| 40 | 40DSJ5.25 | 40DSJ6.25 | 0.25 | Three | PT-1 $\frac{1}{2}$ | 219 | 185 | 80 | 7 | 14 |
| | 50DSJ5.4S | 50DSJ6.4S | 0.4 | Single | PT-2 | 260 | 200 | 99 | 8 | 18 |
| 50 | 50DSJ5.4 | 50DSJ6.4 | 0.4 | Three | PT-2 | 260 | 200 | 99 | 8 | 17 |
| | 50DSJ5.75S | 50DSJ6.75S | 0.75 | Single | PT-2 | 260 | 200 | 99 | 8 | 32 |
| | 50DSJ5.75 | 50DSJ6.75 | 0.75 | Three | PT-2 | 260 | 200 | 99 | 8 | 18 |
| | 50DSJ51.5 | 50DSJ61.5 | 1.5 | Three | PT-2 | 266 | 207 | 115 | 10 | 27 |

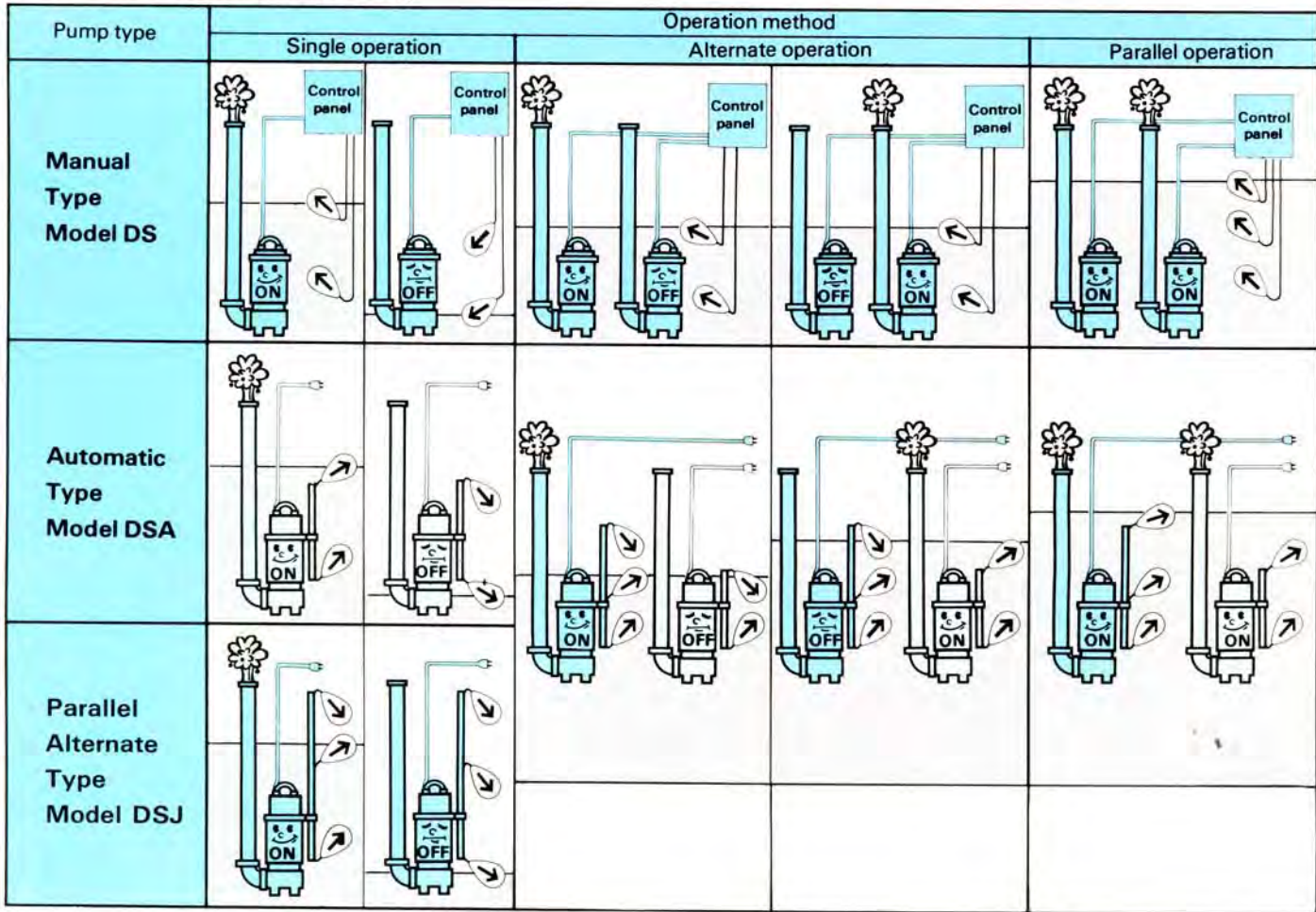


Unit: mm

| Size ϕ | Model | | Output kW | Pump & Motor | | | | | | | Mass kg | |
|-------------|-----------|-----------|-----------|--------------|-----|-----|----|----------------|----------------|----------------|---------|----------------|
| | 50Hz | 60Hz | | A | B | F | S | K ₂ | H ₁ | H ₄ | | H ₃ |
| 50 | 50DSJ52.2 | 50DSJ62.2 | 2.2 | 433 | 248 | 198 | 10 | 910 | 240 | 680 | 870 | 62 |
| | 50DSJ53.7 | 50DSJ63.7 | 3.7 | 433 | 248 | 198 | 10 | 910 | 240 | 680 | 870 | 67 |
| 65 | 65DSJ51.5 | 65DSJ61.5 | 1.5 | 407 | 210 | 197 | 10 | 640 | 120 | 410 | 600 | 36 |
| | 80DSJ52.2 | 80DSJ62.2 | 2.2 | 503 | 268 | 215 | 10 | 910 | 240 | 680 | 870 | 65 |
| 80 | 80DSJ53.7 | 80DSJ63.7 | 3.7 | 503 | 268 | 215 | 10 | 910 | 240 | 680 | 870 | 70 |

Automatic operation of a submersible pump

Nearly all sewage pumps operate automatically according to the liquid level in the sewage tank. A manual pump requires a control panel and float switch for a automatic operation. EBARA submersible pumps feature built-in automatic operation mechanisms which make control panels and float switches unnecessary.



⚠ CAUTION

- Do not attempt to operate, inspect or service this pump before you have read and understood manual of pump.
- Wiring and grounding work must NOT be performed by unqualified persons. It is extremely dangerous for unqualified persons to perform such work. The user should install electrical leakage breakers and overload safety devices to prevent electric shock and fire.

All specifications are subject to change without notice.



EBARA CORPORATION

Standard Products Marketing & Sales Office

Phone: 81-3-5714-6111 Fax: 81-3-5714-6088

Website: <http://www.ebara.co.jp>

Ebara Engineering Singapore Pte. Ltd. (Singapore)

Phone: 65-862-3536 Fax: 65-861-0589

Ebara Middle East Branch Office (U.A.E.)

Phone: 971-4-838889 Fax: 971-4-835307

© EBARA CORP, 2000, Printed in Japan

PT. LUKES INDONESIA

Lindeteves Trade Center Lt UG, Blok B1 No. 6

Jalan Hayam Wuruk, Jakarta - Indonesia

Phone : 021 - 6231 7842, 628 5144

Fax : 021 - 6231 0499

email : lukes@cbn.net.id



A5201⑤JJ-C(.5)Y